

We build a better future

Preliminary

Robex 60w-95

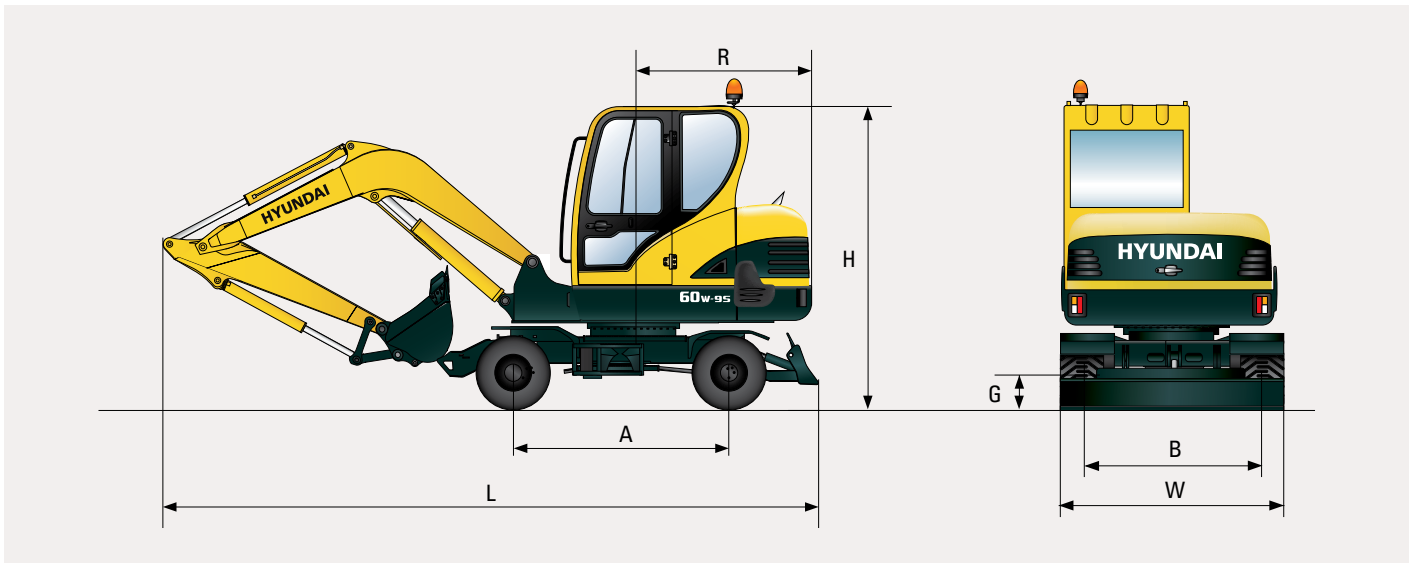
With Tier 2 Engine installed



[Main Features]

- Improved Operator Comfort
 - Wide cabin with excellent visibility
 - Powerful climate control system
- Advanced hydraulic system for fine control
- Extended life of components for cost saving
- More durable upper and lower frame

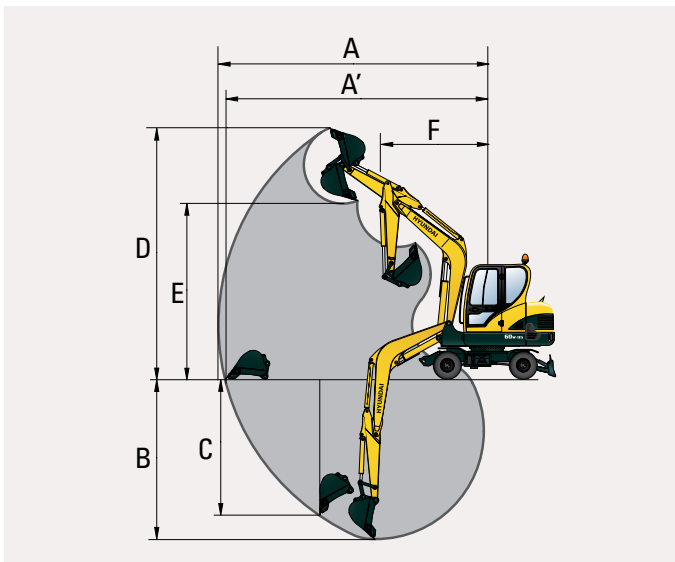
Dimensions & Working Range



DIMENSIONS

DESCRIPTION		UNIT	R60W-95
Engine	Maker	-	Yanmar
	Model	-	4TNV94L
	Rated power (net)	HP (kW)/rpm	56(41) / 2,400
	Max. torque	kgf·m (lbf·ft)/rpm	20.6 (149) / 1,440
Operating weight		kg (lb)	5,550 (12,240)
Bucket capacity (SAE)		m ³ (yd ³)	0.18 (0.24)
Wheel base (A)		mm (ft · in)	2,100 (6' 11")
Tread (B)		mm (ft · in)	1,600 (5' 3")

DESCRIPTION	UNIT	R60W-95
Tail swing radius (R)	mm (ft · in)	1,650 (5' 5")
Min. Ground clearance (G)	mm (ft · in)	290 (0' 11")
Overall length (L)	mm (ft · in)	6,100 (20' 0")
Overall height (H)	mm (ft · in)	2,850 (9' 4")
Overall width (W)	mm (ft · in)	1,925 (6' 4")
Wheel size	-	12x16.5-12PR
Fuel tank capacity	Liter (US gal)	125 (33)
Hyd. tank capacity	Liter (US gal)	70 (18.5)



WORKING RANGE

DESCRIPTION	UNIT	R60W-95
Boom length	mm (ft · in)	3,000 (9' 10")
Arm length	mm (ft · in)	1,600 (5' 3")
Max. Digging reach (A)	mm (ft · in)	6,150 (20' 2")
Max. Digging reach on ground (A')	mm (ft · in)	5,980 (19' 7")
Max. Digging depth (B)	mm (ft · in)	3,500 (11' 6")
Max. Vertical wall digging depth (C)	mm (ft · in)	2,960 (9' 9")
Max. Digging height (D)	mm (ft · in)	6,070 (19' 11")
Max. Dumping height (E)	mm (ft · in)	4,340 (14' 3")
Min. Swing radius (F)	mm (ft · in)	2,350 (7' 9")

- * Standard and optional equipment may vary. Contact your Hyundai dealer for more information. The machine may vary according to International standards.
- * The photos may include attachments and optional equipment that are not available in your area.
- * Materials and specifications are subject to change without advance notice.
- * All imperial measurements rounded off to the nearest pound or inch.

PLEASE CONTACT

HYUNDAI
HEAVY INDUSTRIES CO., LTD.
CONSTRUCTION EQUIPMENT

Head Office
1000 BANGEOJINSUNHWAN-DORO, DONG-GU, ULSAN, 682-792, KOREA
TEL:(82)52-202-7722, 9807 FAX:(82)52-202-7720